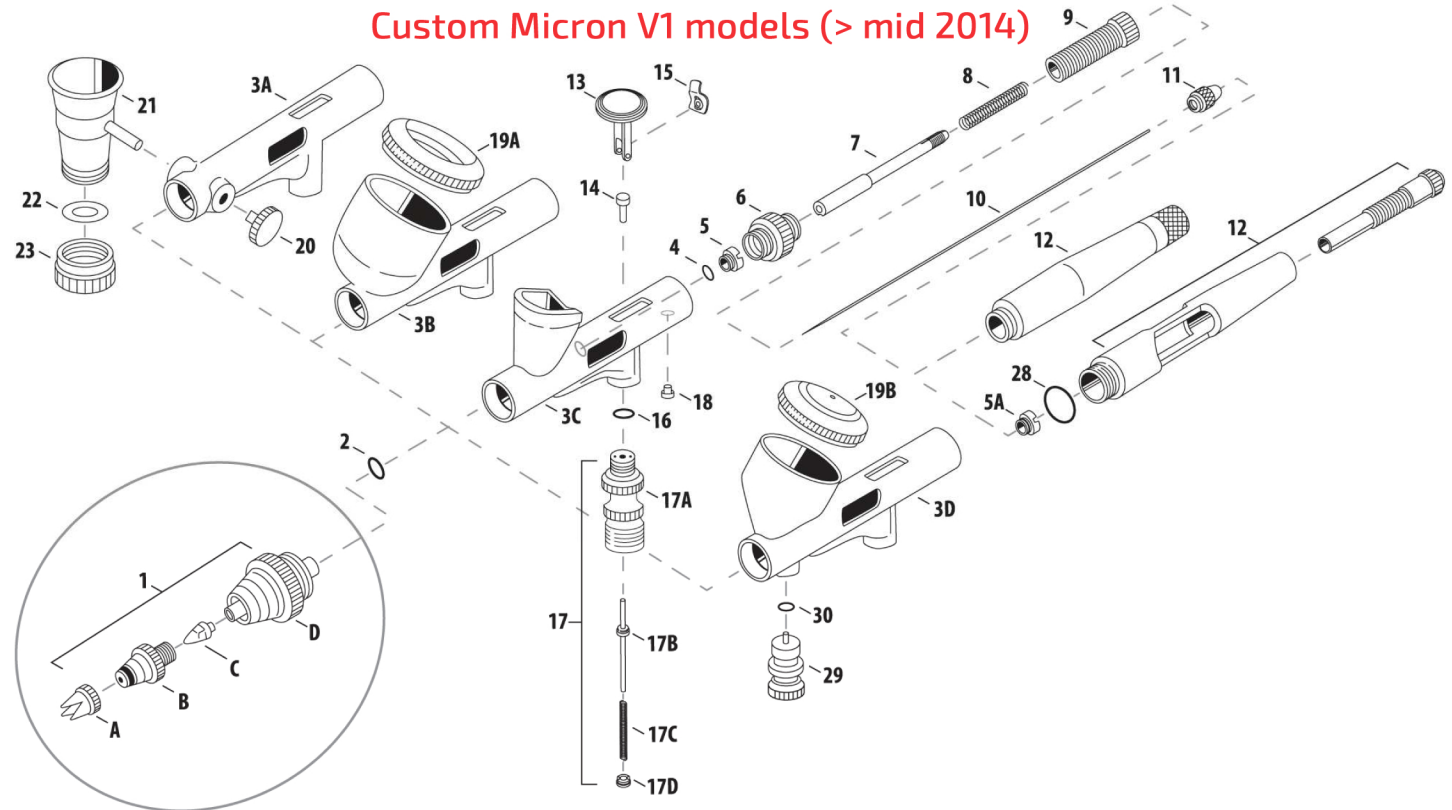


Custom Micron V1 models (> mid 2014)



— IWATA CUSTOM MICRON SERIES AIRBRUSHES • MASTER PARTS LIST —

#	Code#	Part Name	B	SB	C	C+
1	I 535 1	Fluid Head System	0.18 mm	■	■	opt opt
	I 535 2		0.23 mm	opt	opt	■ ■
1A	I 535 1D	Fluid Head-Needle Crown Cap	■	■	■	■
1B	I 535 1C	Fluid Head-Nozzle Cap	■	■	opt	opt
	I 535 2C		opt	opt	■	■
1C	I 535 1B	Fluid Head-Nozzle	0.18 mm	■	■	opt opt
	I 535 2B		0.23 mm	opt	opt	■ ■
1D	I 535 1A	Fluid Head Nozzle Base	■	■	■	■
2	I 580 2	Packing Fluid Head (O-ring)	■	■	■	■
3A	I 525 2	Body - SB*	x	■	x	x
3B	I 525 3	Body - C*	x	x	■	x
3C	I 525 1	Body - B*	■	x	x	x
3D	I 525 6	Body - C+*	x	x	x	■
4	I 580 3	Packing Fluid Needle (O-ring)	■	■	■	x
5	I 565 1	Needle Packing Screw	■	■	■	x
5A	I 590 2	Packing Fluid Needle SET (PTFE)	opt	opt	opt	■
6	I 590 1	Spring Guide	■	■	■	■
7	I 550 1	Needle Chucking Guide	■	■	■	■
8	I 570 1	Needle Spring	■	■	■	■
9	I 575 1	Needle Spring Adjuster	■	■	■	■
10	I 540 1	Fluid Needle	0.18 mm	■	■	opt opt
	I 540 2		0.23 mm	opt	opt	■ ■
	I 540 3		0.23 mm	x	x	x ■
11	I 560 1	Needle Chucking Nut	■	■	■	■
12	I 585 1	Pre-Set Handle Set	■	■	■	opt
	I 585 2	Pre-Set Handle (Single Cut)	opt	opt	opt	■
13	I 545 1	Main Lever	■	■	x	x
	I 545 2		x	x	■	■

*Replacement parts not available.

■ = yes x = no opt = optional

#	Code#	Part Name	B	SB	C	C+
14	I 500 1	Air Piston	■	■	■	■
15	I 515 1	Auxiliary Lever	■	■	■	■
16	I 580 1	Packing Air Piston (O-ring, 2pcs)	■	■	■	■
17	I 510 1	Air Valve Set	■	■	■	■
17A	I 510 2	Air Valve Body	■	■	■	■
17B	I 505 1	Air Valve	■	■	■	■
17C	I 510 4	Air Valve Spring	■	■	■	■
17D	I 510 3	Air Valve Guide	■	■	■	■
18	I 555 1	Needle Chucking Guide Screw	■	■	■	■
19A	I 530 1	Fluid Cup Lid	x	x	■	opt
19B	I 618 1	Fluid Cup Lid	x	x	opt	■
20	I 045 2	Blanking Cover	x	■	x	x
21	I 070 3	Fluid Cup	1/8 oz.	x	■	x x
	I 070 4		1/4 oz.	x	■	x x
22	I 150 5	Packing Lower Lid (Gasket)	x	■	x	x
23	I 095 6	Lower Lid	1/8 oz.	x	■	x x
	I 095 7		1/4 oz.	x	■	x x
28	I 605 1	Packing Handle (O-ring)	x	x	x	■
29	I 190 1	Micro Air Control Valve	x	x	x	■
30	I 190 2	Packing Mac Valve (O-ring)	x	x	x	■
	I 165 1	Spanner (nozzle wrench)	■	■	■	■
	I 160 1	Quick Fit Set (QD and Adaptor)	opt	opt	opt	opt
	I 160 2	Quick Fit Adaptor (Adaptor only)	opt	opt	opt	opt
	J 001	Adaptor (Iwata airbrushes to Paasche airhose)	opt	opt	opt	opt
	J 002	Adaptor (Iwata airbrushes to T & C/Badger airhoses)	opt	opt	opt	opt

■ = yes x = no opt = optional