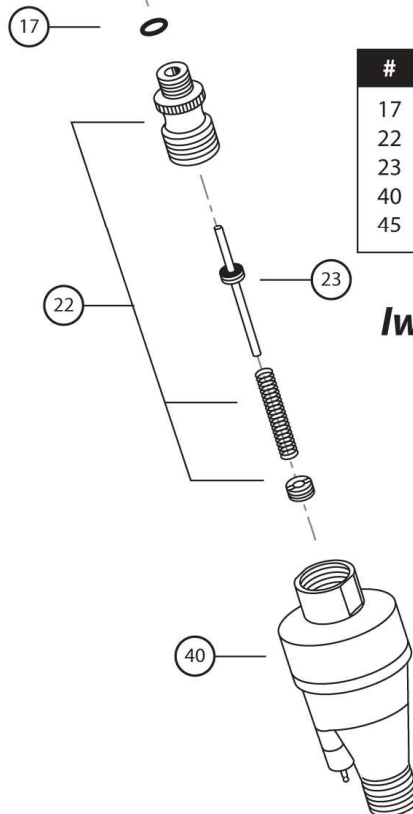


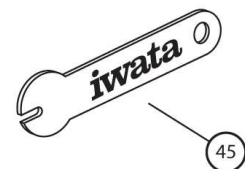
#	Code #	Part Name
4	I 110 7	Cover Ring
5A	I 110 5	Air Cap (Fan Pattern)
5B	I 110 6	Air Cap (Round Pattern)
6	I 081 1	Fluid Nozzle 0.50mm
7	I 082 1	Head Base
8	I 083 1	Packing Head Base
10	I 150 7	Packing Center Cup
11	I 070 8	Center Cup
12	I 718 2	Cup Lid
13	I 714 2	Trigger Screw
14	I 714 1	Trigger
15	I 190 2	Packing MAC Valve
16	I 190 1	Micro Air Control Valve
24	I 731 2	Main Body Ring Screw
27	I 125 8	Needle Packing Set
28	I 730 1	Slide Cam
29	I 730 2	Slide Cam Spring
30	I 731 1	Main Body Ring
31	I 715 2	Needle Chucking Guide
33	I 770 3	Spring
34	I 170 7	Spring Guide
36	I 075 7	Fluid Needle 0.50mm
37	I 120 1	Needle Chucking Nut
39	I 155 9	Pre-Set Handle

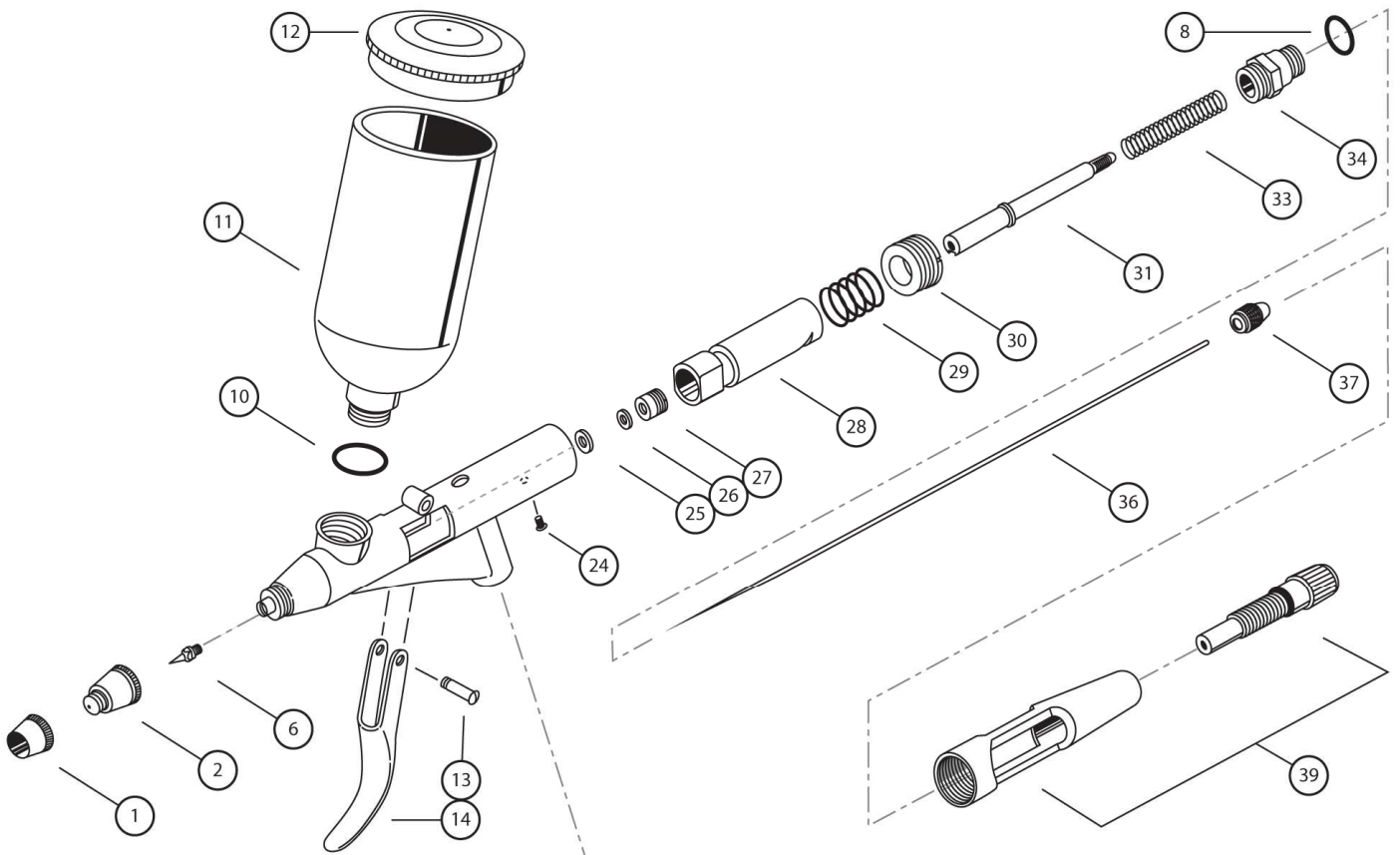
#	Code #	Part Name
17	I 145 1	Packing Air Valve
22	I 712 1	Air Valve Set
23	I 713 1	Air Valve
40	FA 450	Pistol Grip Filter
45	I 165 1	Spanner Wrench



## Iwata Kustom Hi-Line TH

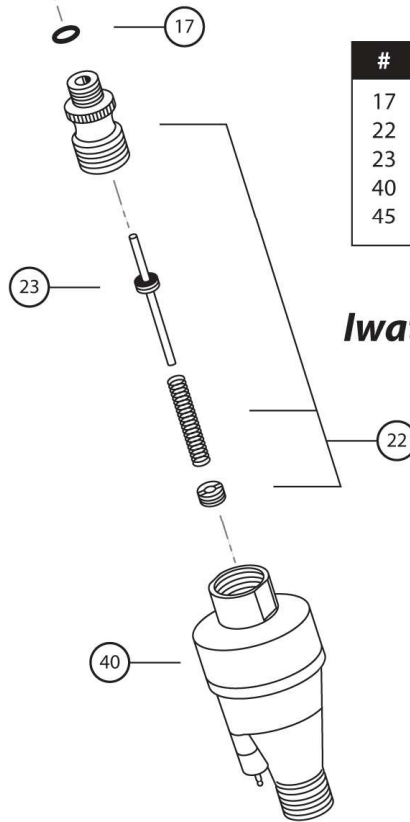
K9200





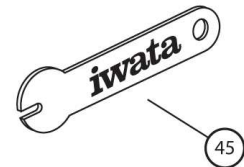
#	Code #	Part Name
1	I 701 3	Needle Cap
2	I 702 2	Nozzle Cap 0.30mm
6	I 704 2	Fluid Nozzle 0.30mm
8	I 605 1	Packing Head
10	I 150 7	Packing Center Cup
11	I 070 7	Center Cup
12	I 095 9	Cup Lid
13	I 714 2	Trigger Screw
14	I 714 1	Trigger
24	I 731 2	Main Body Ring Screw
25	I 725 3	Needle Packing
26	I 150 2	Needle Packing
27	I 725 2	Needle Packing Screw
28	I 730 1	Slide Cam
29	I 730 2	Slide Cam Spring
30	I 731 1	Main Body Ring
31	I 715 2	Needle Chucking Guide
33	I 770 3	Spring
34	I 170 7	Spring Guide
36	I 717 4	Fluid Needle 0.30mm
37	I 120 1	Needle Chucking Nut
39	I 155 4	Pre-Set Cutaway Handle

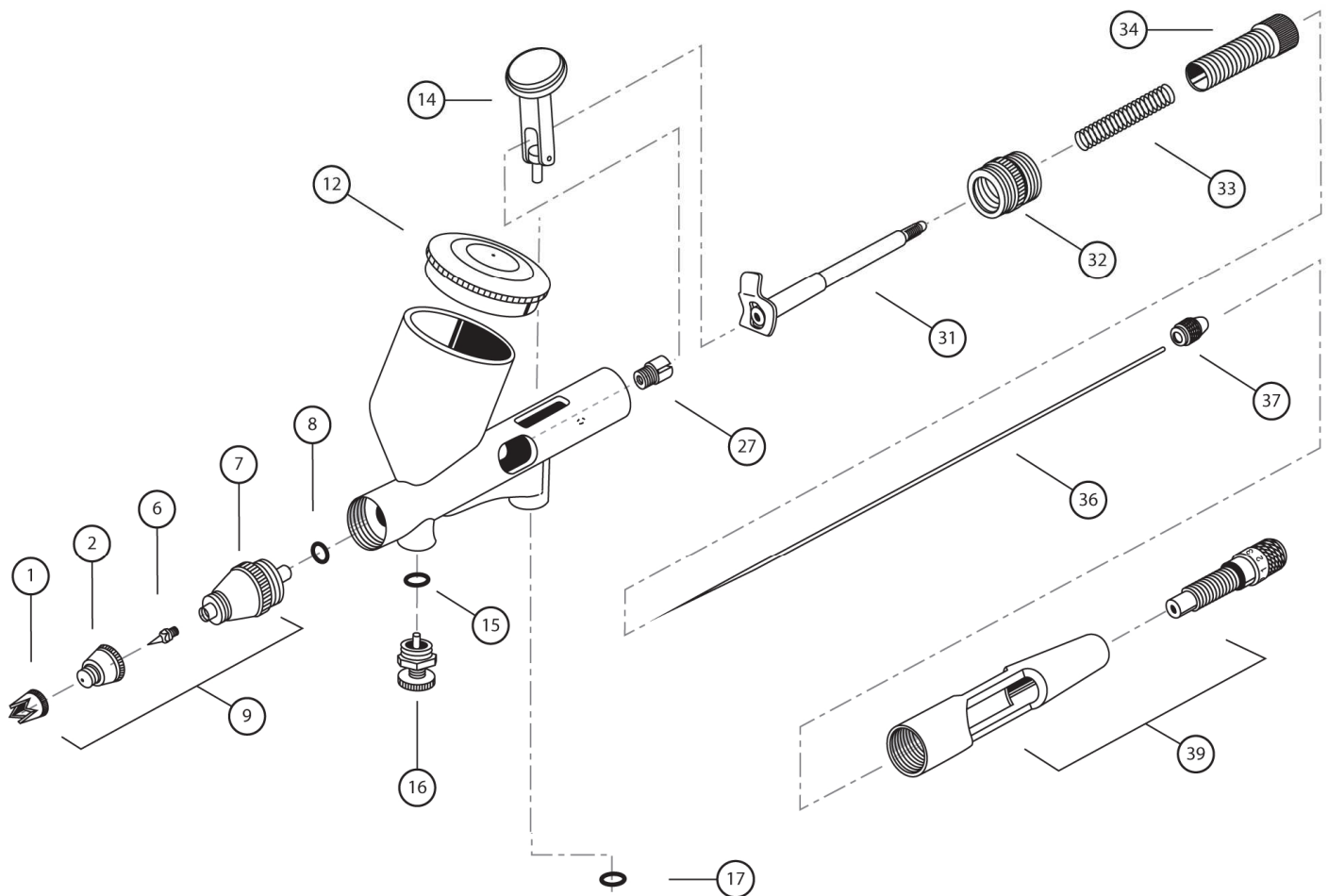
#	Code #	Part Name
17	I 145 1	Packing Air Valve
22	I 712 1	Air Valve Set
23	I 713 1	Air Valve
40	FA 450	Pistol Grip Filter
45	I 165 1	Spanner Wrench



## Iwata Kustom Revolution TR

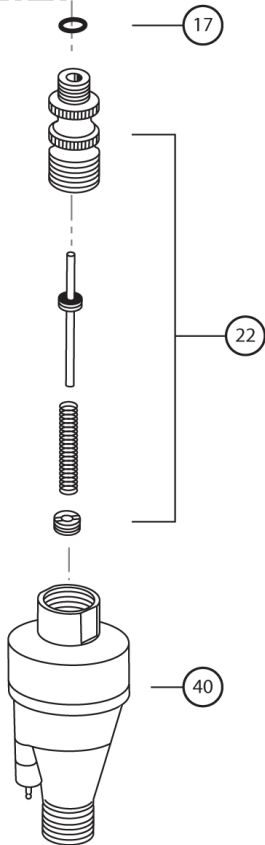
**K9400**





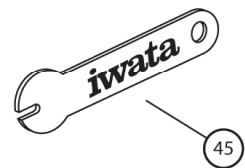
#	Code #	Part Name
1	I 535 1D	Needle Cap
2	I 535 2C	Nozzle Cap 0.23mm
6	I 535 2B	Fluid Nozzle 0.23mm
7	I 535 1A	Head System Base
8	I 580 2	Packing Fluid Head
9	I 535 2	Fluid Head System 0.23mm
12	I 718 1	Cup Lid
14	I 545 3	Main Lever
15	I 190 2	Packing MAC Valve
16	I 190 1	Micro Air Control Valve
27	I 590 2	Needle Packing Set
31	I 115 7	Needle Chucking Guide with Auxiliary Lever
32	I 565 2	Spring Guide Screw
33	I 570 1	Spring
34	I 575 1	Needle Spring Adjuster
36	I 540 3	Fluid Needle 0.23mm
37	I 120 1	Needle Chucking Nut
39	I 585 3	Pre-Set Cutaway Handle

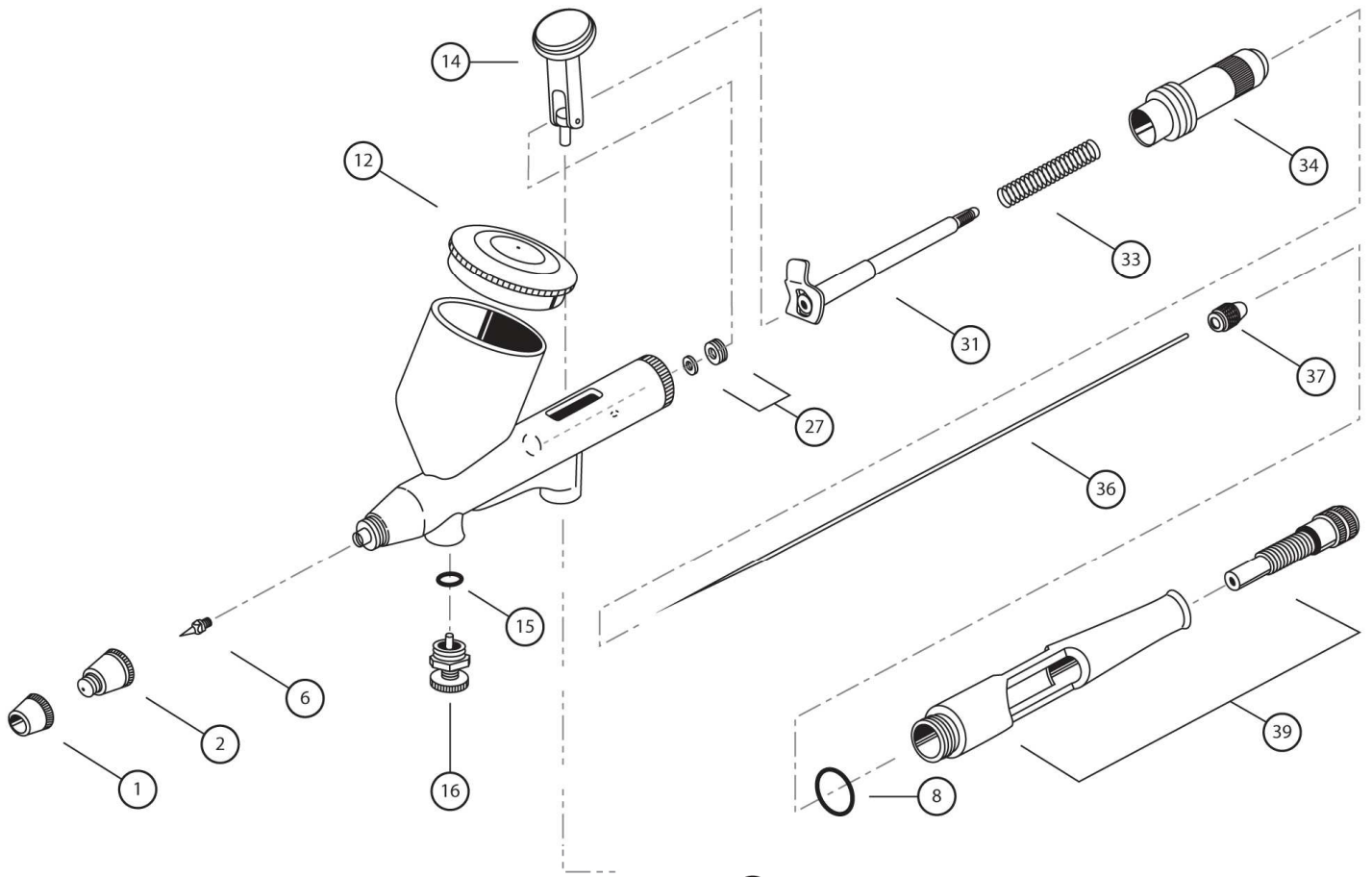
#	Code #	Part Name
17	I 580 1	Packing Air Valve
22	I 510 1	Air Valve Set
40	FA 450	Pistol Grip Filter
45	I 165 1	Spanner Wrench



## Iwata Kustom Micron CM

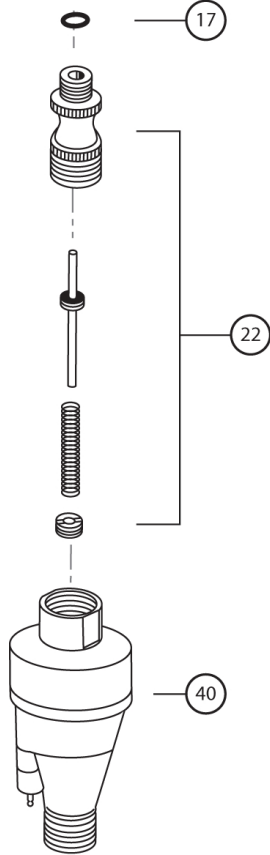
K9000





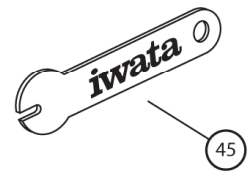
#	Code #	Part Name
1	I 110 2	Needle Cap
2	I 140 3	Nozzle Cap 0.30mm
6	I 080 8	Fluid Nozzle 0.30mm
8	I 605 1	Packing Head
12	I 718 1	Cup Lid
14	I 545 3	Main Lever
15	I 190 2	Packing MAC Valve
16	I 190 1	Micro Air Control Valve
27	I 725 1	Needle Packing Set
31	I 715 1	Needle Chucking Guide
33	I 135 1	Spring
34	I 770 1	Spring Guide
36	I 075 3	Fluid Needle 0.30mm
37	I 120 1	Needle Chucking Nut
39	I 155 6	Pre-Set Cutaway Handle

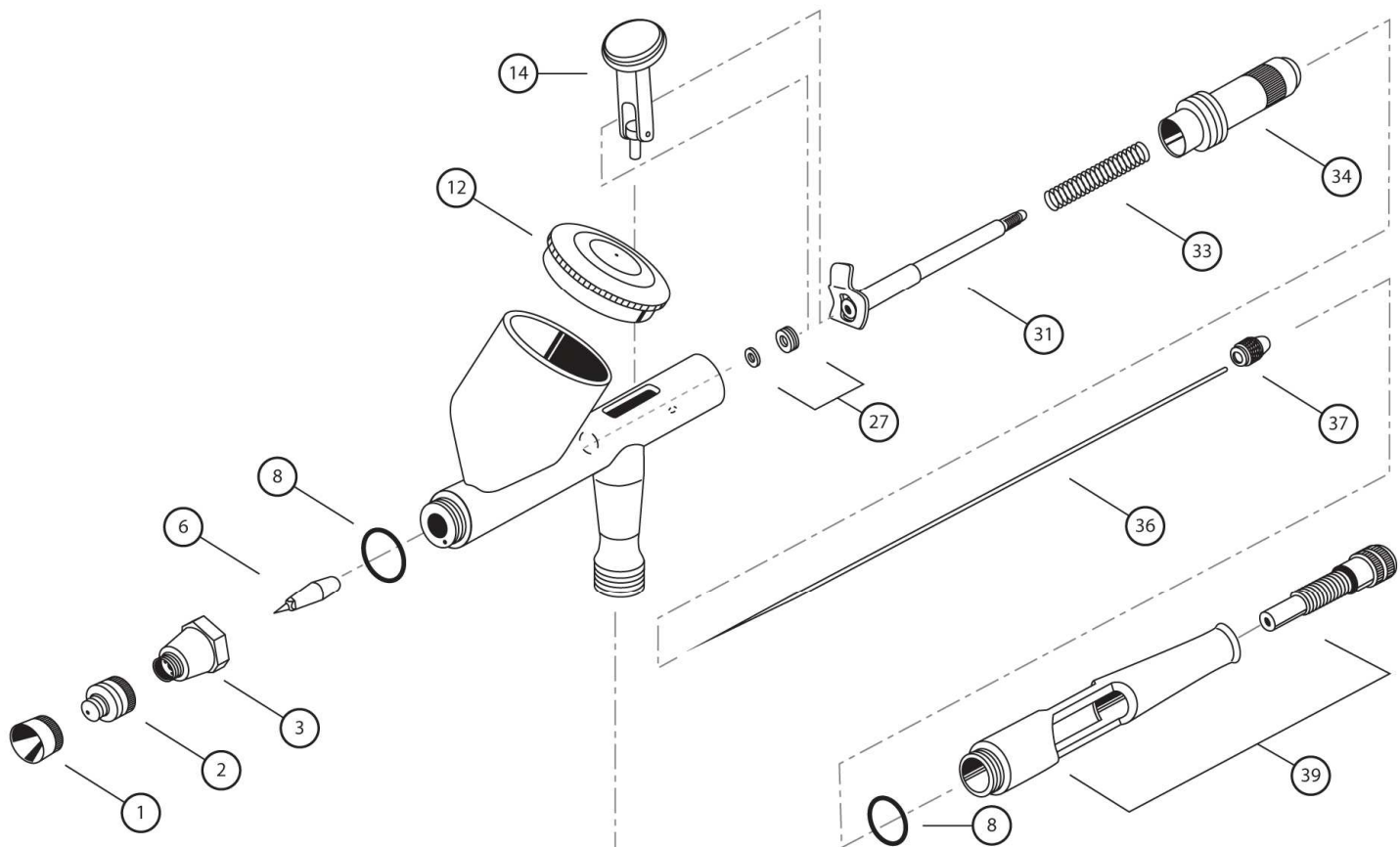
#	Code #	Part Name
17	I 145 1	Packing Air Valve
22	I 030 4	Air Valve Set
40	FA 450	Pistol Grip Filter
45	I 165 1	Spanner Wrench



## Iwata Kustom Hi-Line CH

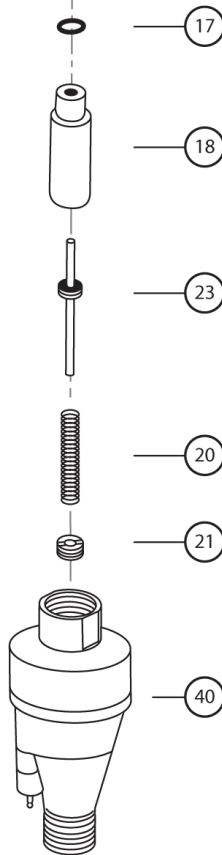
K9100





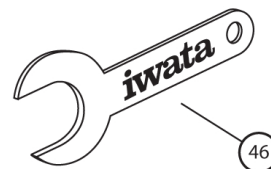
#	Code #	Part Name
1	I 601 1	Needle Cap
2	I 602 2	Nozzle Cap 0.35mm
3	I 603 1	Head Cap
6	I 604 2	Fluid Nozzle 0.35mm
8	I 605 1	Packing Head (Qty. 2)
12	I 618 1	Cup Lid
14	I 612 3	Main Lever
27	I 725 1	Needle Packing Set
31	I 715 1	Needle Chucking Guide with Auxiliary Lever
33	I 135 1	Spring
34	I 770 1	Spring Guide
36	I 617 2	Fluid Needle 0.35mm
37	I 120 1	Needle Chucking Nut
39	I 155 6	Pre-Set Cutaway Handle

#	Code #	Part Name
17	I 580 1	Packing Air Valve
18	I 608 1	Air Valve Guide Body
20	I 510 4	Air Valve Spring
21	I 611 1	Air Valve Guide
23	I 609 1	Air Valve
40	FA 450	Pistol Grip Filter
46	I 630 1	Spanner Head Cap Wrench



## Iwata Kustom Eclipse CS

K9300



— IWATA KUSTOM SERIES AIRBRUSHES • MASTER PARTS LIST —

#	Code #	Part Name	TH	TR	CM	CH	CS
1	I 110 2	Needle Cap	x	x	x	■	x
1	I 535 1D	Needle Cap	x	x	■	x	x
1	I 601 1	Needle Cap	x	x	x	x	■
1	I 701 3	Needle Cap	x	■	x	x	x
2	I 140 3	Nozzle Cap 0.30mm	x	x	x	■	x
2	I 535 2C	Nozzle Cap 0.23mm	x	x	■	x	x
2	I 602 2	Nozzle Cap 0.35mm	x	x	x	x	■
2	I 702 2	Nozzle Cap 0.30mm	x	■	x	x	x
3	I 603 1	Head Cap	x	x	x	x	■
4	I 110 7	Cover Ring	■	x	x	x	x
5A	I 110 5	Air Cap (Fan Pattern)	■	x	x	x	x
5B	I 110 6	Air Cap (Round Pattern)	■	x	x	x	x
6	I 080 8	Fluid Nozzle 0.30mm	x	x	x	■	x
6	I 081 1	Fluid Nozzle 0.50mm	■	x	x	x	x
6	I 535 2B	Fluid Nozzle 0.23mm	x	x	■	x	x
6	I 604 2	Fluid Nozzle 0.35mm	x	x	x	x	■
6	I 704 2	Fluid Nozzle 0.30mm	x	■	x	x	x
7	I 082 1	Head Base	■	x	x	x	x
7	I 535 1A	Head System Base	x	x	■	x	x
8	I 083 1	Packing Head Base	■	x	x	x	x
8	I 580 2	Packing Fluid Head	x	x	■	x	x
8	I 605 1	Packing Head	x	■	x	■	■
9	I 535 2	Fluid Head System 0.23mm	x	x	■	x	x
10	I 150 7	Packing Center Cup	■	■	x	x	x
11	I 070 7	Center Cup	x	■	x	x	x
11	I 070 8	Center Cup	■	x	x	x	x

#	Code #	Part Name	TH	TR	CM	CH	CS
12	I 095 9	Cup Lid	x	■	x	x	x
12	I 618 1	Cup Lid	x	x	x	x	■
12	I 718 1	Cup Lid	x	x	■	■	x
12	I 718 2	Cup Lid	■	x	x	x	x
13	I 714 2	Trigger Screw	■	■	x	x	x
14	I 545 3	Main Lever	x	x	■	■	x
14	I 612 3	Main Lever	x	x	x	x	■
14	I 714 1	Trigger	■	■	x	x	x
15	I 190 2	Packing MAC Valve	■	■	x	■	x
16	I 190 1	Micro Air Control Valve	■	x	■	■	x
17	I 145 1	Packing Air Valve	■	■	x	■	x
17	I 580 1	Packing Air Valve	x	x	■	x	■
18	I 608 1	Air Valve Guide Body	x	x	x	x	■
20	I 510 4	Air Valve Spring	x	x	x	x	■
21	I 611 1	Air Valve Guide	x	x	x	x	■
22	I 030 4	Air Valve Set	x	x	x	■	x
22	I 510 1	Air Valve Set	x	x	■	x	x
22	I 712 1	Air Valve Set	■	■	x	x	x
23	I 609 1	Air Valve	x	x	x	x	■
23	I 713 1	Air Valve	■	■	x	x	x
24	I 731 2	Main Body Ring Screw	■	■	x	x	x
25	I 725 3	Needle Packing	x	■	x	x	x
26	I 150 2	Needle Packing	x	■	x	x	x
27	I 125 8	Needle Packing Set	■	x	x	x	x
27	I 590 2	Needle Packing Set	x	x	■	x	x
27	I 725 1	Needle Packing Set	x	x	x	■	■
27	I 725 2	Needle Packing Screw	x	■	x	x	x

#	Code #	Part Name	TH	TR	CM	CH	CS
28	I 730 1	Slide Cam	■	■	x	x	x
29	I 730 2	Slide Cam Spring	■	■	x	x	x
30	I 731 1	Main Body Ring	■	■	x	x	x
31	I 115 7	Needle Chucking Guide with Auxiliary Lever	x	x	■	x	x
31	I 715 1	Needle Chucking Guide	x	x	x	■	■
31	I 715 2	Needle Chucking Guide	■	■	x	x	x
32	I 565 2	Spring Guide Screw	x	x	■	x	x
33	I 135 1	Spring	x	x	x	■	■
33	I 570 1	Spring	x	x	■	x	x
33	I 770 3	Spring	■	■	x	x	x
34	I 170 7	Spring Guide	■	■	x	x	x
34	I 575 1	Needle Spring Adjuster	x	x	■	x	x
34	I 770 1	Spring Guide	x	x	x	■	■
36	I 075 3	Fluid Needle 0.30mm	x	x	x	■	x
36	I 075 7	Fluid Needle 0.50mm	■	x	x	x	x
36	I 540 3	Fluid Needle 0.23mm	x	x	■	x	x
36	I 617 2	Fluid Needle 0.35mm	x	x	x	x	■
36	I 717 4	Fluid Needle 0.30mm	x	■	x	x	x
37	I 120 1	Needle Chucking Nut	■	■	■	■	■
39	I 155 6	Pre-Set Cutaway Handle	x	x	x	■	■
39	I 155 4	Pre-Set Cutaway Handle	x	■	x	x	x
39	I 155 9	Pre-Set Handle	■	x	x	x	x
39	I 585 3	Pre-Set Cutaway Handle	x	x	■	x	x
40	FA 450	Pistol Grip Filter	■	■	■	■	■
45	I 165 1	Spanner Wrench	■	■	■	■	x
46	I 630 1	Spanner Head Cap Wrench	x	x	x	x	■

