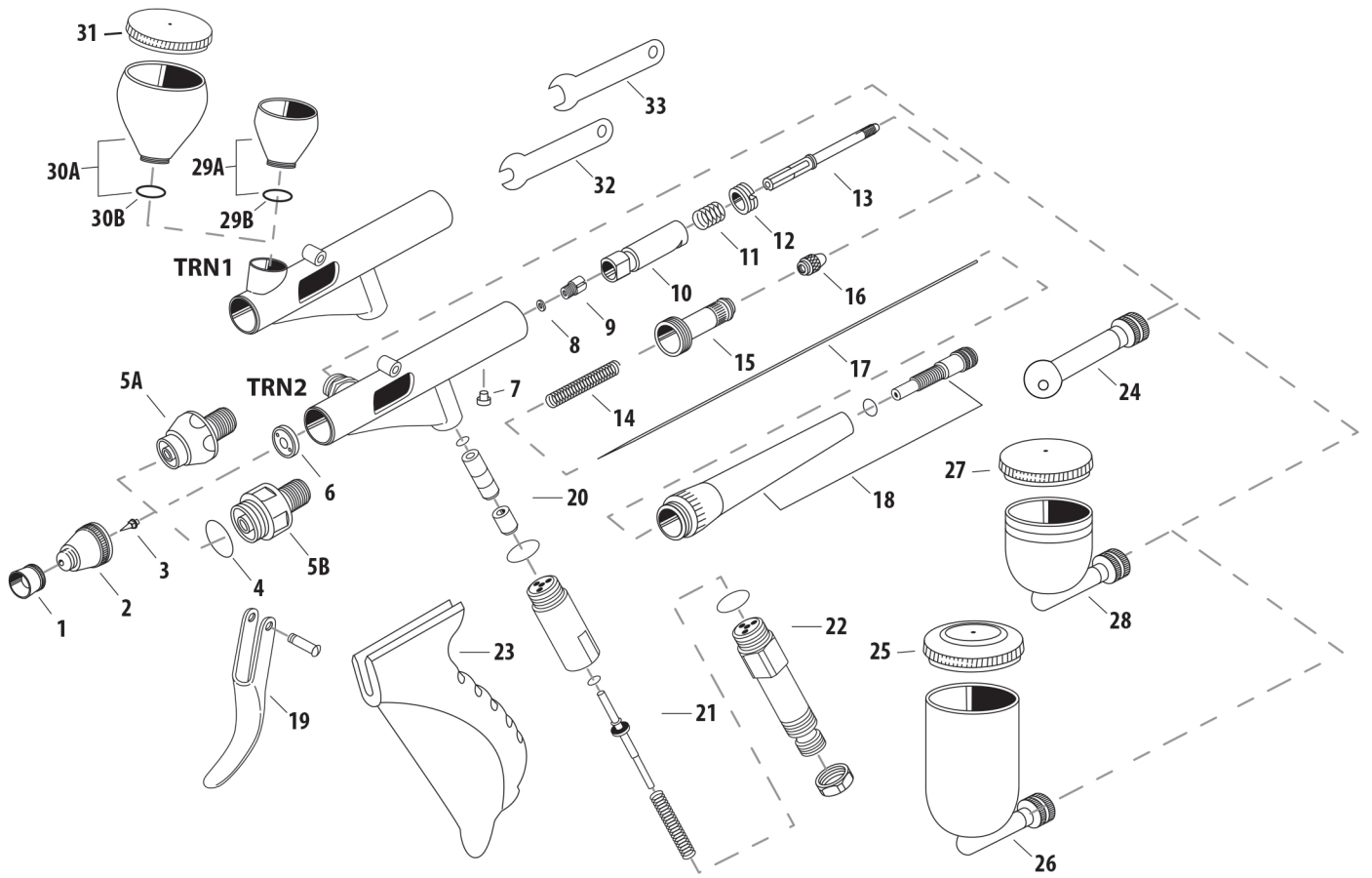


NEO FOR IWATA — TRN1, TRN2



#	ITEM DESCRIPTION	PRICE CODE	ITEM #	TRN2 N 5000	TRN1 N 5500	ALSO FITS
1	Needle Cap	A	N 110 2	■	■	
2	Nozzle Cap	N3	A N 140 3	opt	■	
		N5	A N 140 4	■	opt	
3	Nozzle	N3	C N 080 3	opt	■	
		N5	C N 080 4	■	opt	
4	Nozzle Cap O-ring	A	N 150 4	■	x	
5A	Head Base	A	N 135 3	x	■	
5B	Head Base	A	N 135 4	■	x	
6	Head Base Packing (PTFE)	A	N 150 5	■	■	
7	Main Body Ring Screw	A	N 131 2	■	■	
8	Needle Packing (PTFE)	A	N 150 7	■	■	
9	Needle Packing Screw	A	N 125 2	■	■	
10	Slide Cam	A	N 130 1	■	■	
11	Spring Side Cam	A	N 130 2	■	■	
12	Main Body Ring	A	N 131 1	■	■	
13	Needle Chucking Guide	A	N 115 2	■	■	
14	Needle Spring	A	N 135 2	■	■	
15	Spring Guide	A	N 170 2	■	■	
16	Needle Chucking Nut	A	N 120 2	■	■	

#	ITEM DESCRIPTION	PRICE CODE	ITEM #	TRN2 N 5000	TRN1 N 5500	ALSO FITS
17	Needle	N3	A N 075 3	opt	■	
		N5	A N 075 4	■	opt	
18	Handle Cap Set	D	N 090 2	■	■	
19	Trigger With Trigger Screw	A	N 100 2	■	■	
20	Air Piston Set	A	N 010 1	■	■	
21	Air Valve Set	C	N 020 2	■	■	
22	Grip Mount/Extension	D	N 160 1	■	■	
23	Grip	B	N 160 2	■	■	
24	Bottle Adapter	C	N 040 1	■	x	
25	Side Cup Lid	0.50 oz / 15 ml	A N 095 2	■	x	
26	Side Cup	0.50 oz / 15 ml	A N 070 6	■	x	
27	Side Cup Lid	0.24 oz / 7 ml	A N 095 3	■	x	
28	Side Cup	0.24 oz / 7 ml	D N 070 5	■	x	
29A	Fluid Gravity Cup w/O-ring	0.05 oz / 1.50 ml	C N 070 1	x	■	NEO CN
29B	O-ring For Fluid Gravity Cup	0.05 oz / 1.50 ml	A N 071 2	x	■	NEO CN
30A	Fluid Gravity Cup w/O-ring	0.24 oz / 7 ml	D N 070 2	x	■	NEO CN
30B	O-ring For Fluid Gravity Cup	0.24 oz / 7 ml	A N 071 3	x	■	NEO CN
31	Fluid Gravity Cup Lid	0.24 oz / 7 ml	A N 095 4	x	■	NEO CN
32	Spanner	A	N 165 1	x	■	NEO CN/ NEO BCN
33	Spanner	A	N 165 2	■	x	

■ = yes x = no opt = optional